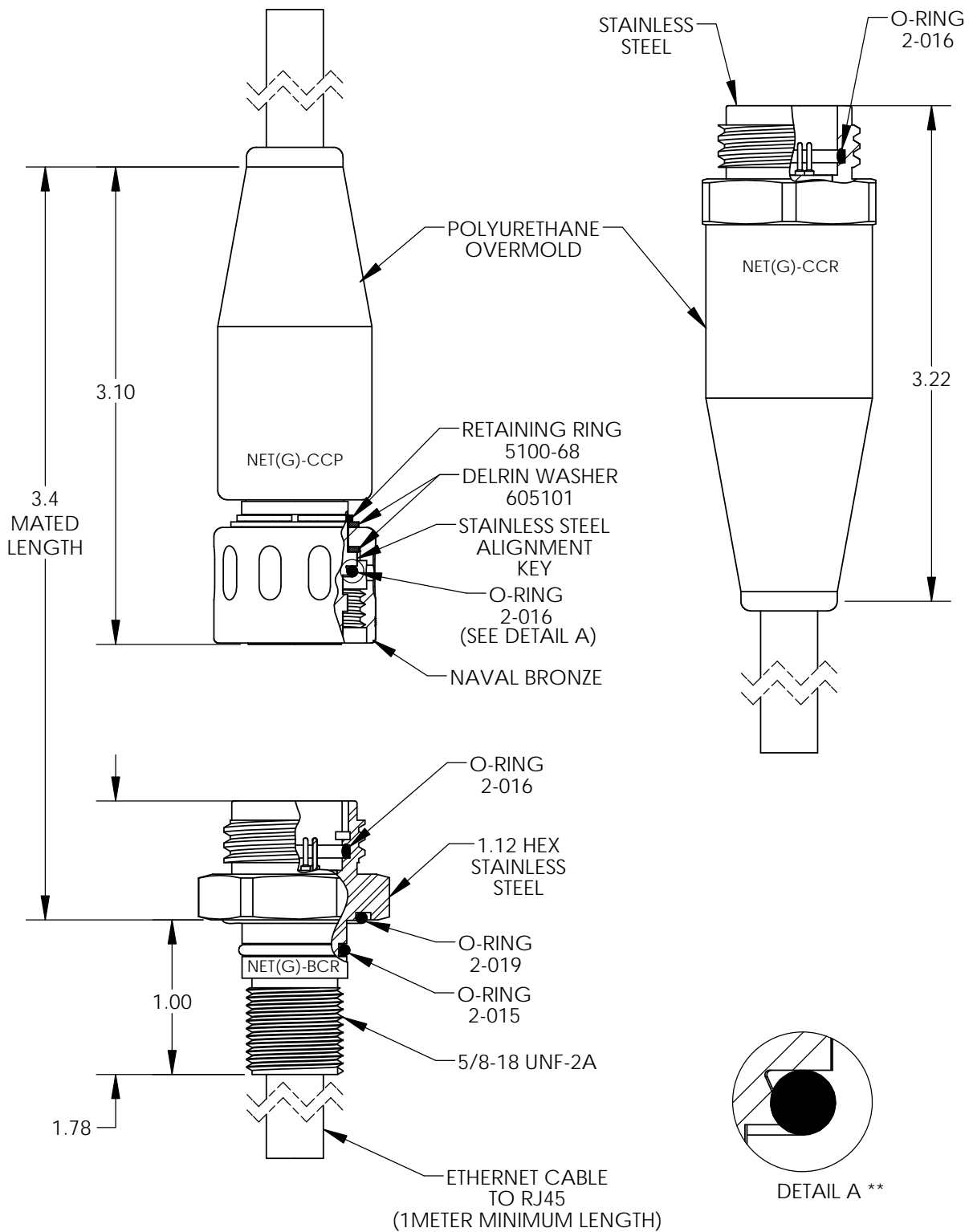
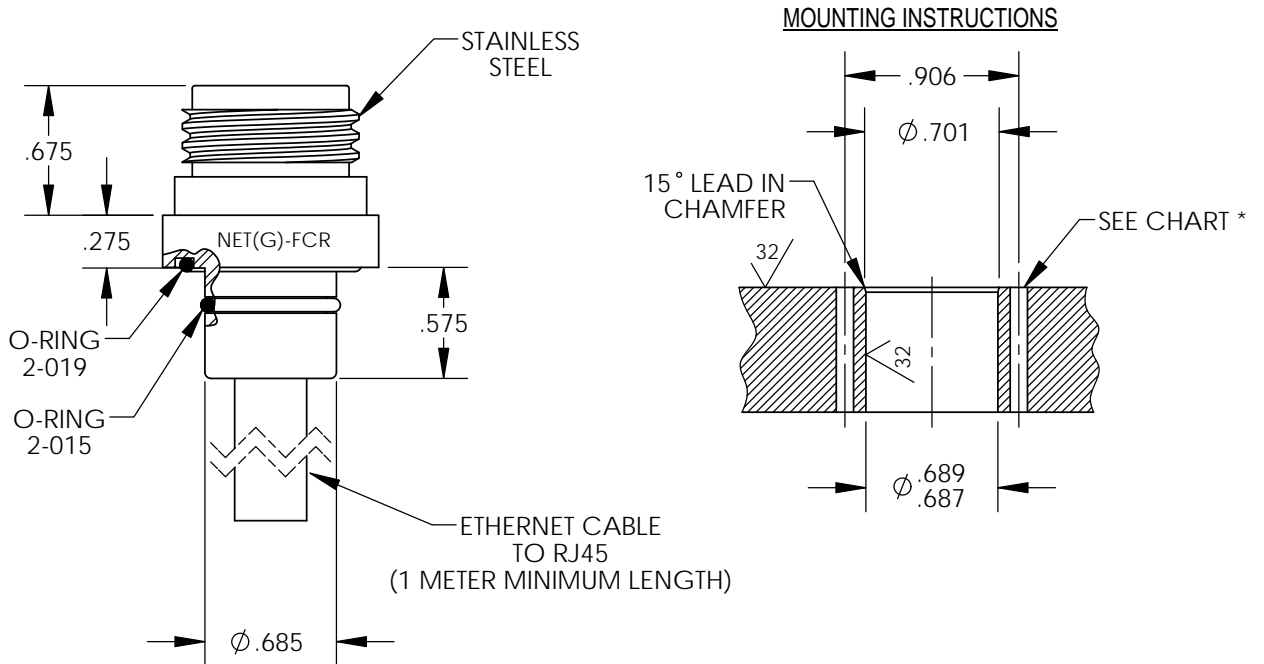
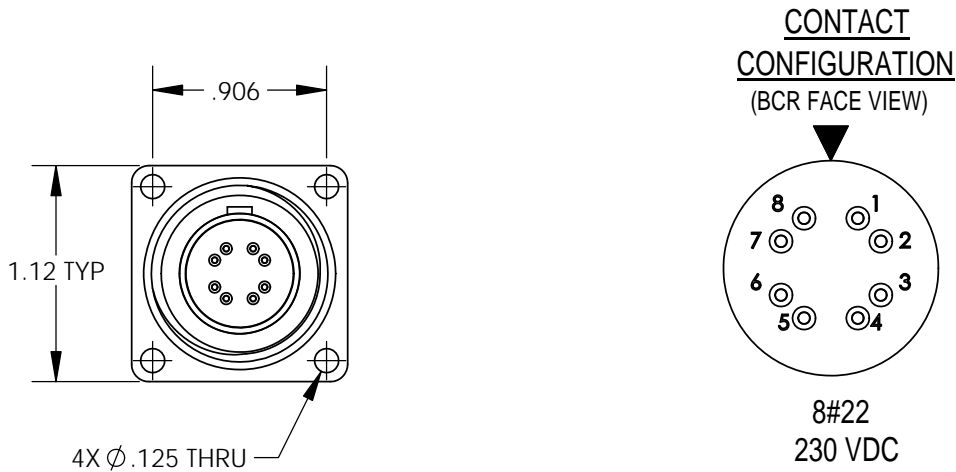


-
- | | |
|--------------------------|---|
| DESCRIPTION AND MATERIAL | <ul style="list-style-type: none">• Metal to metal key for position alignment.• 316 stainless steel passivated per QQ-P-35 Type VI with naval bronze engaging nut.• Special alloys are available upon request (contact factory).• 8 contacts (#22) for 4 twisted pairs.• Contacts are gold plated per MIL-G-45204.• Working voltage up to 230 VDC.• 10,000 PSI in mated condition (higher pressure rating available using special alloy metal shell; please contact factory).• NET-CCR/CCP connectors are overmolded with polyurethane. |
| CABLE | <ul style="list-style-type: none">• Connector's amperage and voltage is limited by the amperage and voltage ratings of the cable to which the connector is molded.• This series is molded to Teledyne Impulse qualified cable (maximum length 70 m for 1 Gbit/s transmissions). Customer specified cables can be used, but would require testing to verify data rate. |
| USES | <ul style="list-style-type: none">• ROV applications.• Signal telemetry.• Hazardous environment. |
| GUIDELINES | <ul style="list-style-type: none">• FCR is mounted by use of four equally spaced bolts around the flange surface.• FCR is used in place of the BCR when the use of a bulkhead nut and washer is impractical.• Mounting torque should not exceed 150 in lbs. for this series.• All mounting surfaces require a 32 finish.• Align indexes.• Keep o-ring grooves clean.• Avoid o-ring cuts and nicks.• Lubricate o-rings with Dow Corning #111 Valve Lubricant or equivalent.• Replace o-rings when re-using connectors.• Elastomers can be seriously degraded if exposed to direct sunlight or high ozone levels for extended periods of time. |



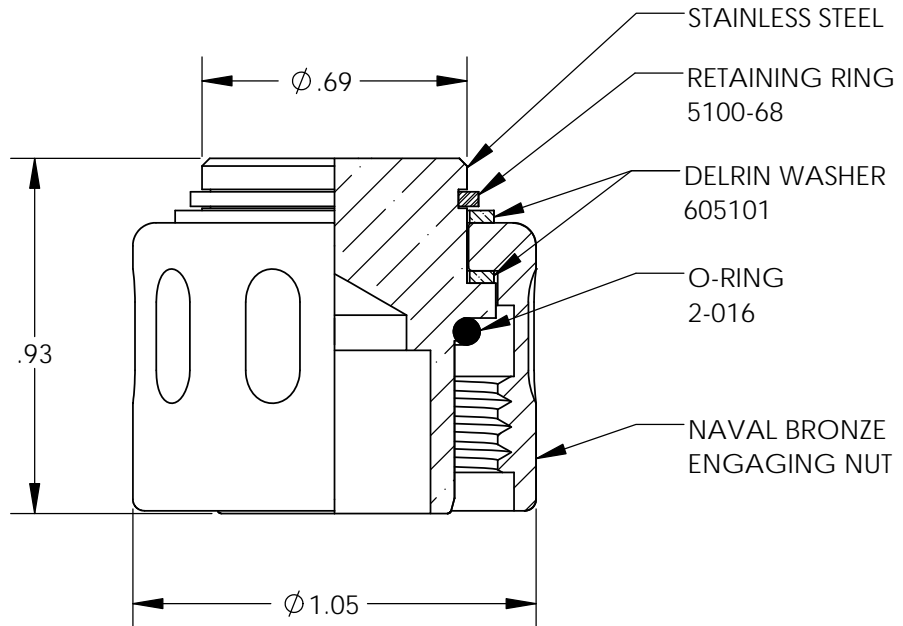


MOUNTING TORQUE FOR NET(G)-BCR	not to exceed 150 in lbs	MATED PRESSURE RATING (psi)	10,000
DUMMY PLUG FOR NET(G)-BCR/FCR/CCR	NET(G)-SCP	DUMMY PLUG FOR NET(G)-CCP	NET(G)-SCR

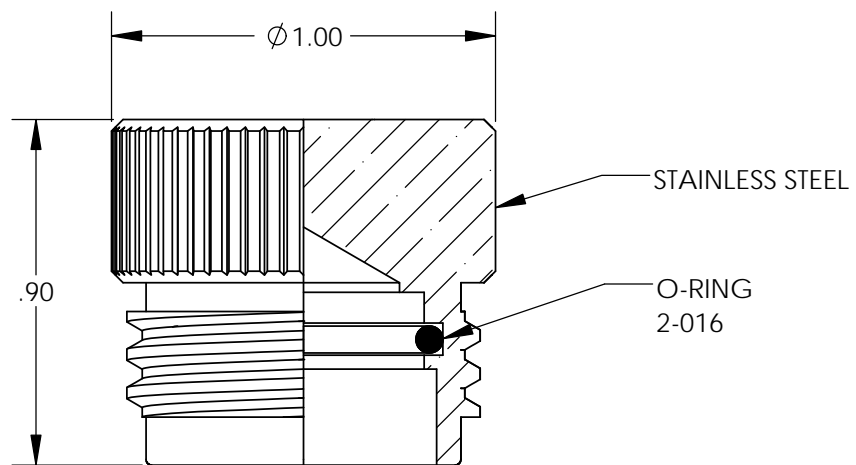
NOTE:

- * Blind tapped hole not to penetrate bulkhead, minimum full thread depth 2 times bolt diameter.
- ** O-Ring installation tool available - contact factory for further details.
- *** Total assembly length not to exceed 70 meters for 1 Gbit transmission.

SCP

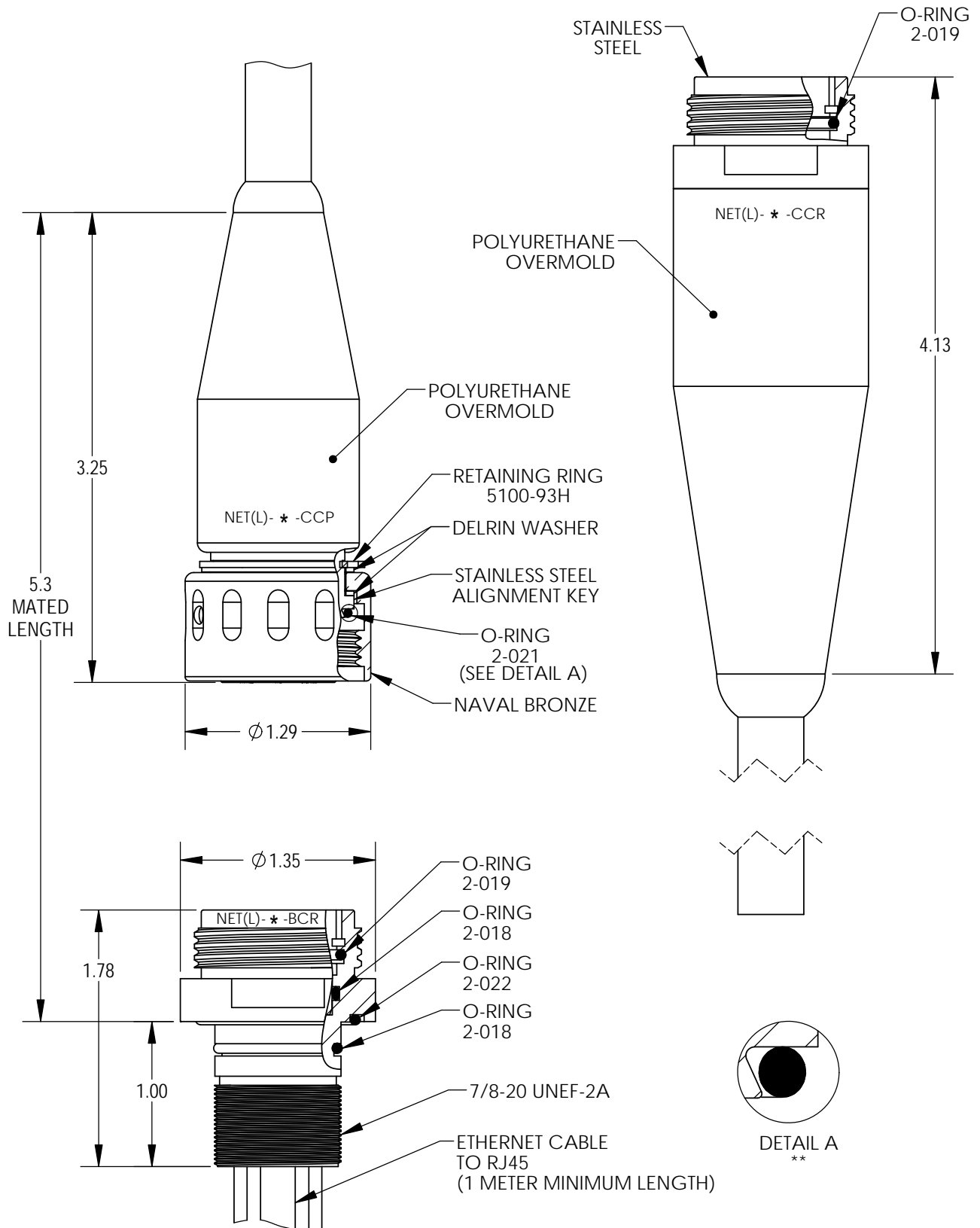


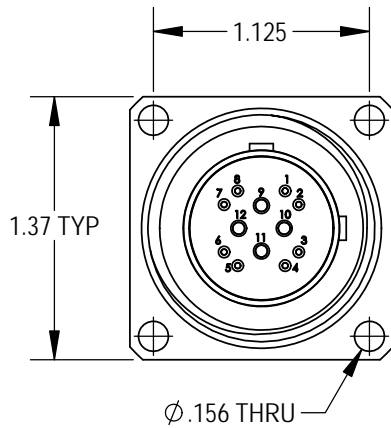
SCR



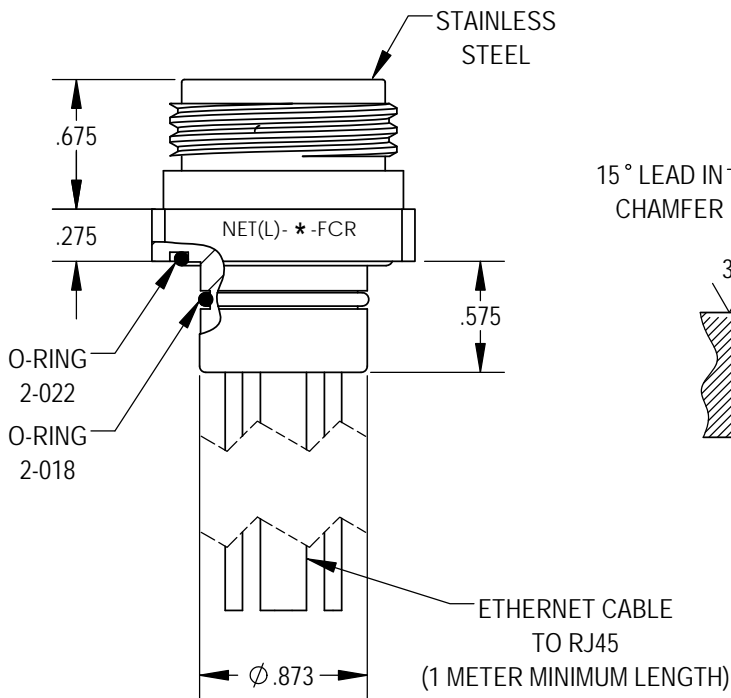
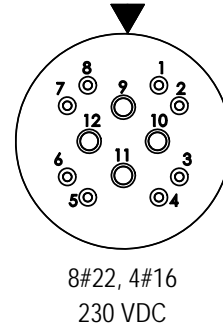
NET(L)

NET SERIES 1 GIGABIT ETHERNET

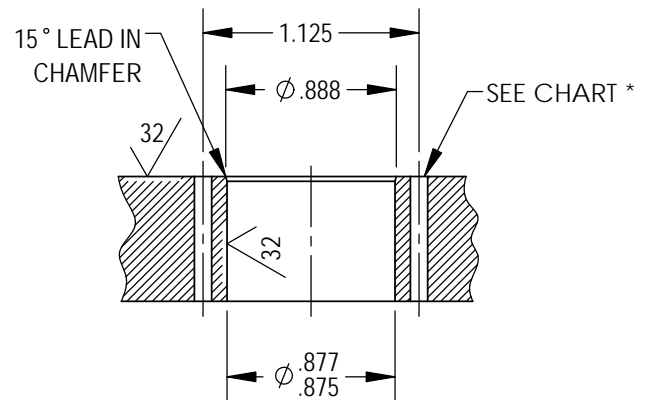




CONTACT CONFIGURATION
(BCR FACE VIEW)



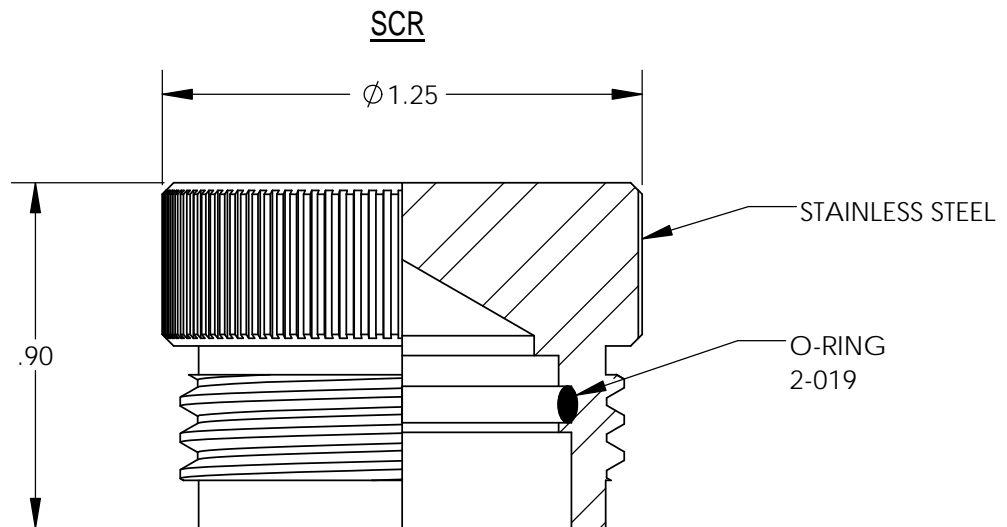
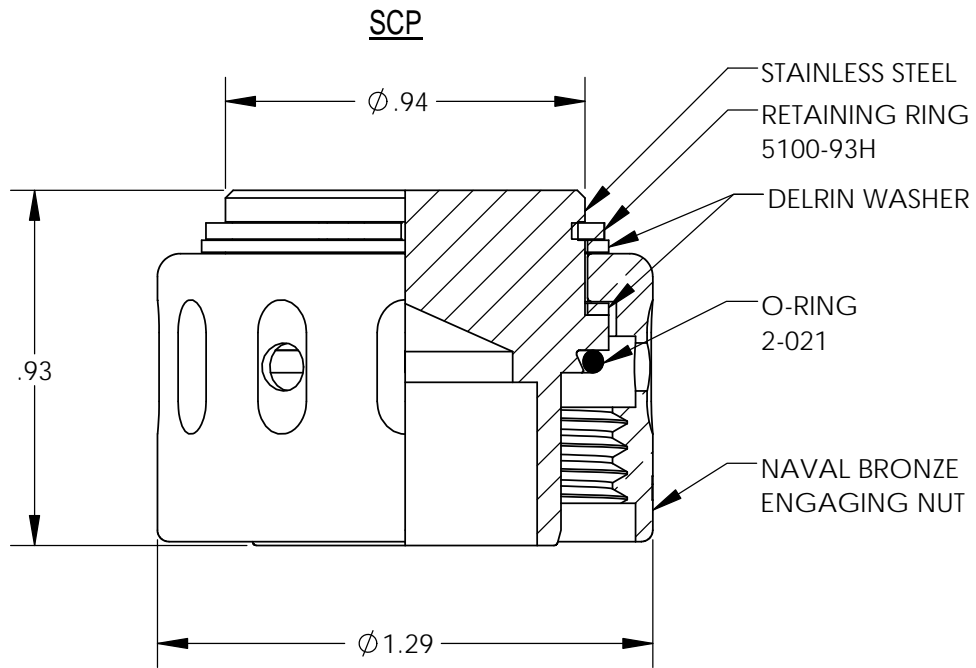
MOUNTING INSTRUCTIONS



MOUNTING TORQUE FOR NET(L)-BCR	not to exceed 150 in lbs	MATED PRESSURE RATING (psi)	10,000
DUMMY PLUG FOR NET(L)-BCR/FCR/CCR	NET(L)-SCP	DUMMY PLUG FOR NET(L)-CCP	NET(L)-SCR

NOTE:

- * Blind tapped hole not to penetrate bulkhead, minimum full thread depth 2 times bolt diameter.
- ** O-Ring installation tool available - contact factory for further details.
- *** Total assembly length not to exceed 70 meters for 1 Gbit transmission.



THIS PAGE INTENTIONALLY LEFT BLANK